

GA3 Deluxe Compartment Lock

Features

- Simple locks used on all types of steel and metal enclosures, cabinets and panels
- Die cast housing fits a 'double-D' piercing and is retained by a large hexagonal nut
- Particularly suited for applications where vibration may be a problem
- Hex-bolt, lock-washer and device retention clip for secure assembly, spiked locating plate **G01905** and 'cranked' cam pawl as standard (illustrated)
- Available in 90° or 180° rotation models. For 90° models, key does not withdraw in unlocked (9 o'clock) position

Material

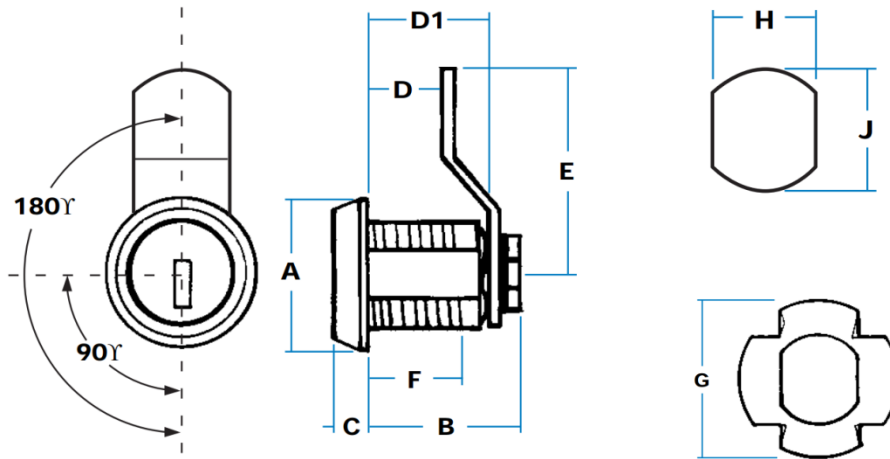
- Steel, chromium plated

Notes

- 'FS' keys as standard with 'shuttered' keyway. Optionally 'FT', '92' or 'DLP' key types also available
- Cam pawl reversible, can be fitted at 45° intervals
- Wide choice of cam pawls, finish options and accessory items available



GA3-G27893



For clarity, retaining nut is not shown



G01905
(Spiked locating plate for fitting to wooden panels)

Part No.	Rotation	Key Type	A	B	C	D	D1	E	F	G	H	J
GA3-G27890	90°	Mixed	26	28	6	11	19	37	15	34	17.5	20
GA3-G27893		FS880										
GA3-G27900	180°	Mixed										
GA3-G27902		FS880										

Available Accessories Sold Separately

G00858
(Finger pull)
Black, moulded design which improves access to cabinet door. Suits all models.

G00066
(Finger pull)
Chromium-plated, steel finger pull for 'utility' applications.

G01905
(Spiked locating plate)

G00479
(Flat locating plate)

G00928
(Moulded weathershield)
Black PVC cover for weather-protection. Suits all round-face locks.

G01595
(Moulded spacer)
Useful where inside space is limited, raises lock 5 mm above panel surface. Black nylon.

G27847
(Brass retaining nut)

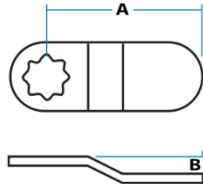
G03181
(Black neoprene gasket)

Cam Pawl Options for Compartment Lock Series

Features

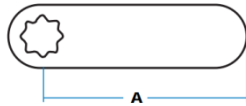
- These are some of the more commonly-used latch bars for our compartment lock range. All are made in mild steel, 15 mm x 2.2 mm, and zinc-plated, with an 8-sided hole to accept 8 mm-square drive (unless otherwise noted). All are reversible.
- Standard lock models are normally fitted with the 'cranked' pawl (**G01906**) or the 'straight' pawl (**G03640**). However, any of these options can be provided on request, and special pawls made-to-order where volumes are appropriate
- A range of 3 mm heavy-duty bars with raised cam-form is also available and is shown separately

Cranked Latch Pawl



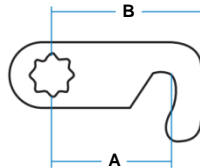
Part No.	A	B
G01906	36	8
G00033	30	4

Straight Latch Pawl



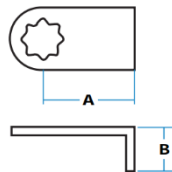
Part No.	A
G00526	23
G03640	35
G35232	51
G00458	76

Hooked Latch Pawl



Part No.	A	B
G23563	24	32
G00509	30	36

Plunger Type Latch Pawl



Part No.	A	B
G00960	8	14
G02051	10	13
G01907	13	17
G00474	10	30

Special Latch Pawl



Note: These latch bars have 4-sided hole only

